

38277-MI

Sound & Light Activated Relay

Sound and light activated relay module that automatically detects the ambient sound and light intensity. When the sound level exceeds an adjustable threshold, the relay activates, delays for a period of time, then turns off. **The light control function should be disabled for best sound use. (Light function overrides Sound)**

Power: 12-24VDC 30V Max (Heatsink may be required for regulator)

Current: <20mA Standby / <70mA Active

Sound Threshold Range: ~20db to ~90db

Light Threshold Range: ~10Lx to ~10000Lx

ON Time: ~3s~60s (not precise, related to the sound level & capacitor charge/discharge time)

FET Microphone Lead: 30mm

Relay: SPDT

Rated: 10A @ 250/125VAC/30VDC

L: 53mm (2-1/16") **W:** 34mm (1-1/4")

H: 20mm (3/4") **WT:** .08

Setup:

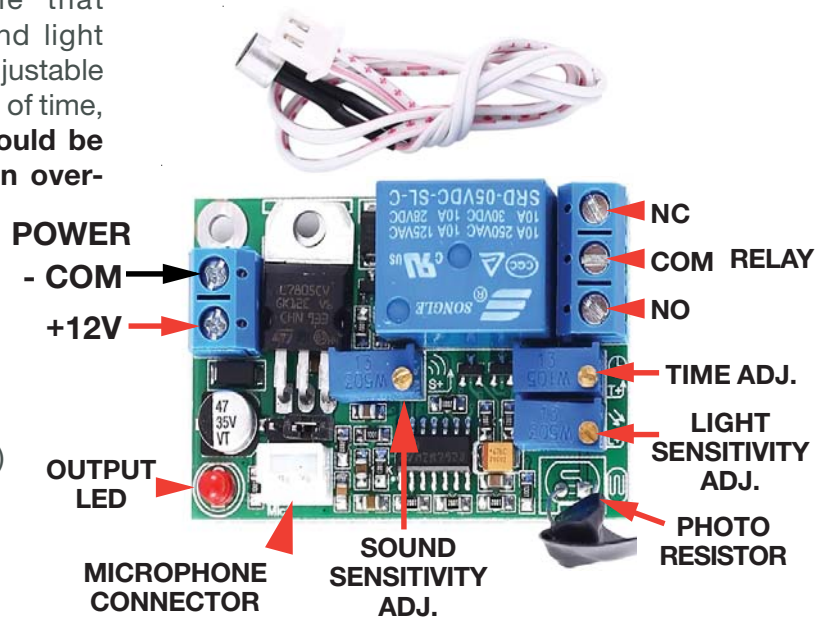
1: Module uses multi-turn precision potentiometers, so adjust them with care.

---When You hear a slight clicking sound while turning the adjustment You have reached the end---
---Do not continue to turn!---

- 1.1: Make sure the Photoresistor is wrapped with black Opaque tape (Module relay is normally Inactive until triggered. Without light, which is the same as turning off the light control function.
- 1.2: Adjust the ON Time potentiometer "T" clockwise to minimize the time and make it easier to adjust the sound intensity.
- 1.3: Connect the Power Source to the module: Confirm the polarity (reverse connection won't harm, but module won't work)

2. Adjusting: Best Done in a Quiet Environment

- 2.1: Sensitivity adjustment potentiometer "S": Increase: counterclockwise/decreases clockwise.
- 2.2: First adjust clockwise so that the relay does not close (the LED is off). Then speak or clap your hands to see if the LED is on/flashes (because you initially set the Time control at a minimum; it will turn off immediately). Adjust gradually until you get the needed sensitivity.
- 2.3: Once the sound intensity is set correctly, gradually adjust the ON Time potentiometer "T" counterclockwise by speaking/clapping to activate the module up to the ON time you need. Max ~1 minute.
- 2.4: To use the light control function, Remove the black tape (Pull only when there is no light) from the Photoresistor and adjust the Light Sensitivity potentiometer "L": Clockwise means the light becomes darker (High sensitivity) The Relay will be active when it is darker. Counterclockwise means as the light becomes brighter (Low sensitivity - More Light to activate.)
- 2.5: To disable the light control function, cover the photoresistor with opaque tape or Remove Photoresistor



MARLIN P. JONES & ASSOC., INC.

8380 Resource Rd. West Palm Beach, FL 33404
800-652-6733 FAX 561-844-8764
WWW.MPJA.COM